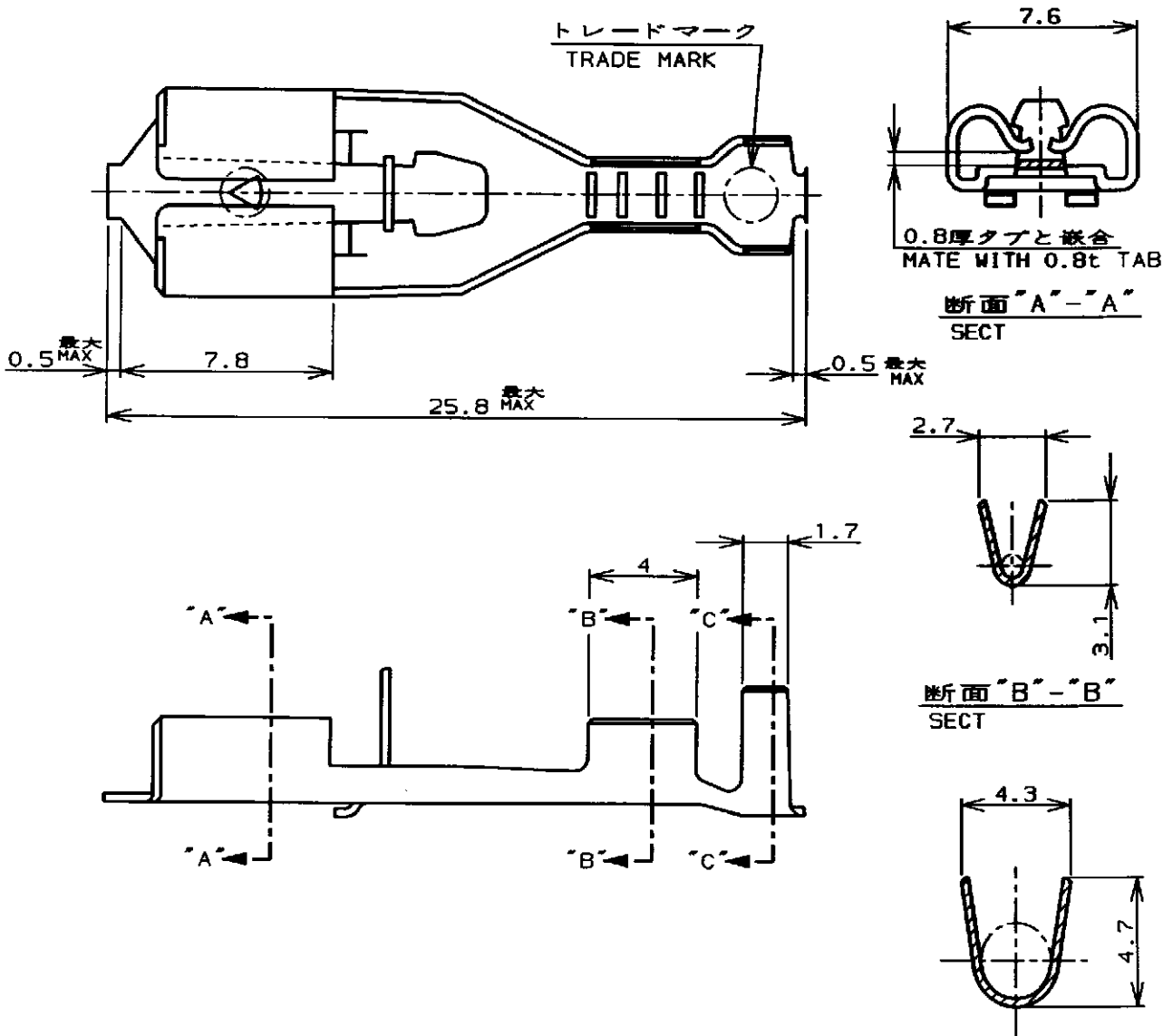


| LOC | | DIST | | REVISIONS | | | | | | |
|-----|-----|---------------------|------------------|-----------|-----|------|--|--|--|--|
| P | LTR | DESCRIPTION | ECN | DATE | DWN | APVD | | | | |
| J | --- | | | | | | | | | |
| | C | REVISED | J-9884 | 8.MAY'87 | Y.F | N.O | | | | |
| | D | REDRAWN WITH CHANGE | FJ00 - 1547 - 98 | 7.AUG'98 | M.S | | | | | |



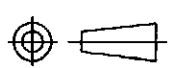
注;
1. 適用ハウジング型番 172076

NOTE;
1. APPLICABLE HOUSING P/N:172076

THIS DRAWING IS UNPUBLISHED. BY AMP INCORPORATED. ALL RIGHTS RESERVED. COPYRIGHT 19

| | | |
|---|---------------------------------|------------------------------|
| 170333-1 | PRE TINNED BRASS 錫めつき付真鋼0.4t | 170327-1 |
| LOOSE PIECE P/N ばら状端子型番 | MATERIAL 材料 | P/N 型番 |
| WIRE RANGE 総合電線断面積(AWG#22-#18) | INSULATION DIA 被覆外径 | |
| 0.31~0.89mm ² | 1.5~3.1mm | |
| MATERIAL 材料 | SEE TABLE 表参照 | FINISH 仕上 |
| AMP 日本アンプエレクトロニクス株式会社 Kawasaki, Japan | | |
| NAME 名称 "250" SERIES POSITIVE LOCK (MARK II) REC. "250"シリーズポジティブロック(マークII)リセブタクル | | |
| SIZE A4 | CAGE CODE 00779 | DRAWING NO 番号 C=170327 |
| RESTRICTED TO - | | |
| SCALE 尺度 4-1 | | SHEET 1 OF 1 |
| REV D | | |

| | |
|---|-----------------------------------|
| DIMENSIONS: 単位 概 mm | DWN <i>Sh. Sogawa</i> 7.AUG.98 |
| TOLERANCES UNLESS OTHERWISE SPECIFIED: | CHK <i>M.S</i> 18.AUG.98 |
| 一般公差 | APVD <i>M.S</i> 18.AUG.98 |
| 10% : ±0.2 | PRODUCT SPEC 製品規格 |
| 30% : ±0.25 | 108-5127 |
| 100% : ±0.3 | APPLICATION SPEC 取付適用規格 |
| ANGLE : ±0.3° | 114-5042 |
| WEIGHT --- | |



CUSTOMER DRAWING

SCALE 4-1 SHEET 1 OF 1 REV D